

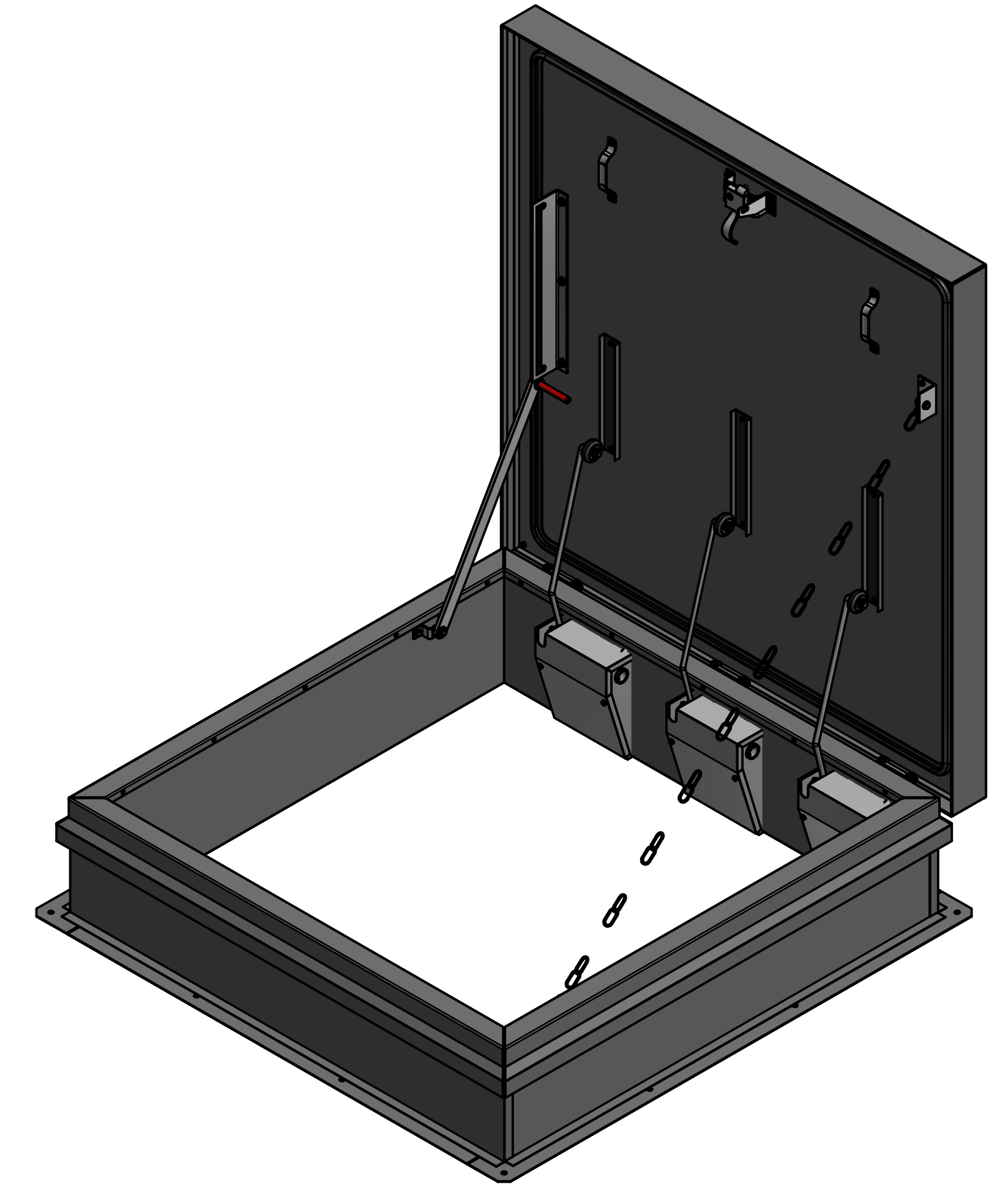
ORDER WILL NOT BE RELEASED FOR FABRICATION UNTIL SIGNED COPY IS RECEIVED.

VERIFICATION AND APPROVAL OF GENERAL ARRANGEMENT AND OVERALL DIMENSIONS FOR THIS DOCUMENT ARE REQUIRED BEFORE THE ORDER IS ENTERED FOR MANUFACTURING.

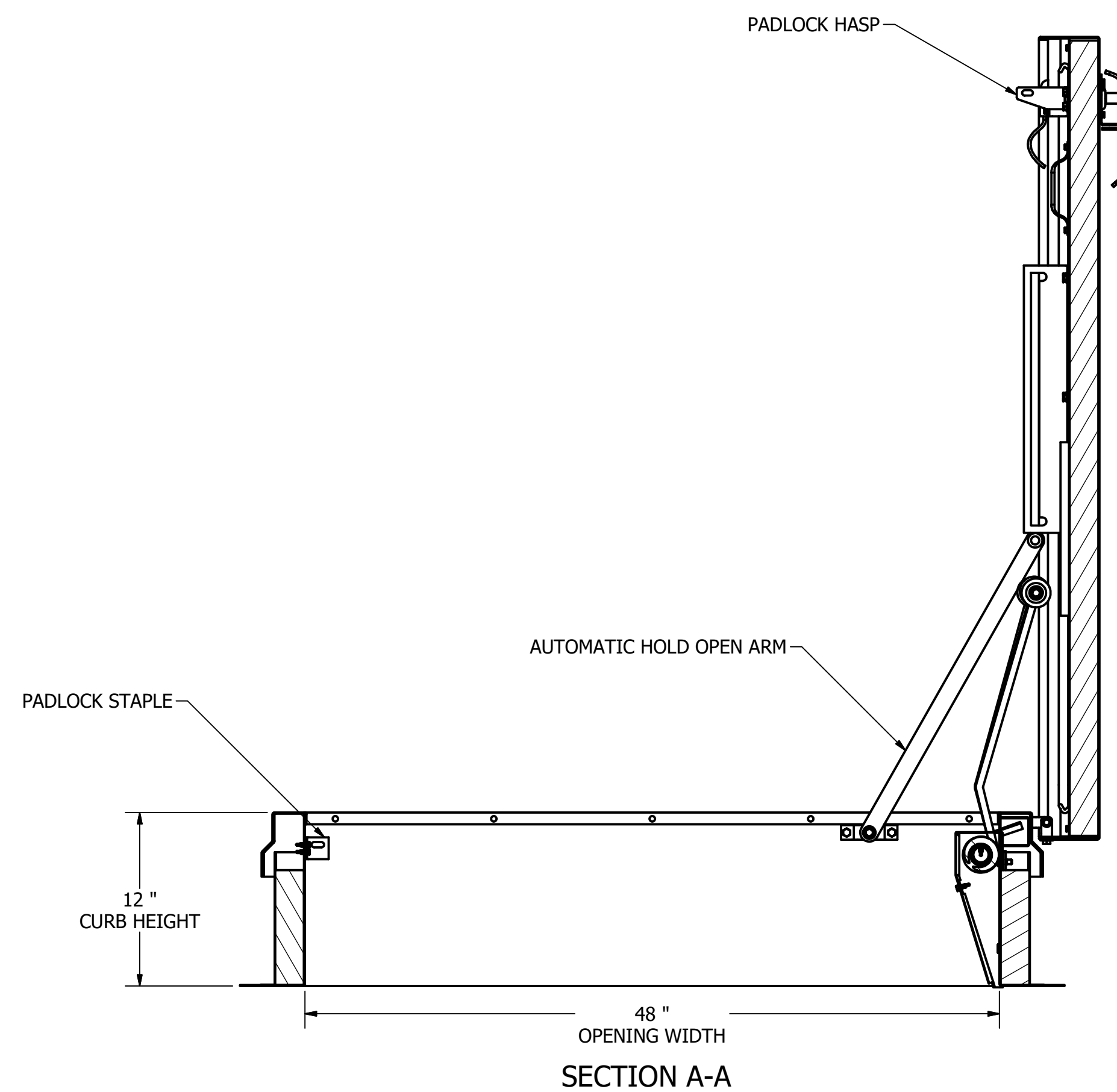
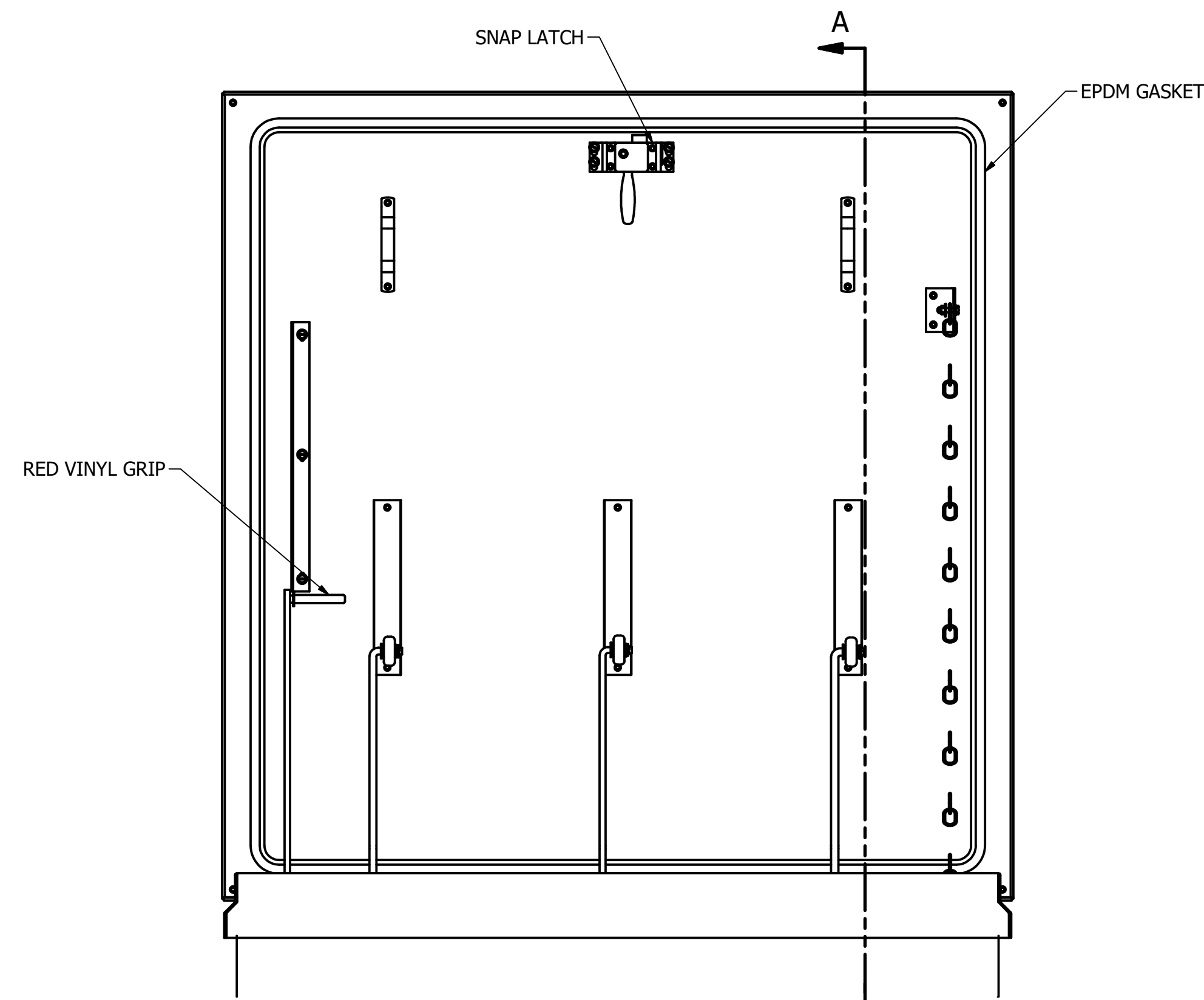
APPROVAL SIGNATURE \_\_\_\_\_

TITLE HELD \_\_\_\_\_

DATE OF APPROVAL \_\_\_\_\_




ISOMETRIC VIEW



- NOTES:
- SIZE: 4'-0" X 4'-0"
  - CURB MATERIALS
    - 14 GA GALVANIZED CURB
    - 14 GA GALVANIZED CURB CAP
  - CURB LINER MATERIALS
    - 22 GA GALVANIZED CURB CAP
  - CURB INSULATION THICKNESS AND MATERIALS
    - 2" POLYISOCYANURATE CURB INSULATION
  - COVER MATERIALS
    - 14 GA GALVANIZED COVER
    - COVER LINER MATERIALS
    - 22 GA GALVANIZED COVER LINER
  - COVER INSULATION THICKNESS AND MATERIALS
    - 2" POLYISOCYANURATE COVER INSULATION
  - COVER RATED FOR 70PSF LIVE LOAD
  - COVER AND CURB ARE PAINTED WHITE
  - ZINC PLATED HARDWARE

**BEST ROOF HATCHES** For more information, contact us at [info@bestroofhatches.com](mailto:info@bestroofhatches.com) or call us at 1-800-431-8651

DRAWN CDEWILDT	5/2/2019	 For more information, contact us at <a href="mailto:info@bestroofhatches.com">info@bestroofhatches.com</a> or call us at 1-800-431-8651	
CHECKED	<b>MILCOR</b>		
QA	TOLERANCE UNLESS SPECIFIED	TITLE	
MFG	.XXX ± 0.005"	M-7 EE 48X48 SINGLE LEAF ROOF HATCH	
APPROVED	.XX ± 0.01"	SIZE	DWG NO
	FRACT. ± 1/16"	D	3501-515-9EE
	ANGLES ± 1'	SCALE	REV A
		SHEET 1 OF 1	